



Palazzoli
GROUP



BRAVO 

WATERPROOF, HIGH-BAY AND FLOODLIGHT
FIXTURES FOR FUNCTIONAL ILLUMINATION



The UK company Lewden, with more than 70 years of experience in the electromechanical industry, is a respected supplier of electrical and lighting equipment worldwide.

Over time it has won prestigious projects in the marine sector (Queen Elizabeth aircraft carrier), power generation (solar and wind farms), mass transport (London Underground), lighting (London Olympic Park) and defence (Royal Air Force and military camps).

Lewden offers a "SMART" product range: high-performance, functional and tailored to the specific market needs. With Lewden, Palazzoli Group responds to a market demand increasingly oriented to efficient solutions.

BRAVO

SMART SOLUTIONS FOR LED LIGHTING



HIGH-BAY

WATERPROOF



FLOODLIGHT



Made by Lewden ensuring all safety and efficiency requirements.

From the classic suspension high-bay to wall-mounted floodlights and waterproof linear light fixtures.

BRAVO[®]-WL

WATERPROOF



For industrial, commercial and storage areas, car parks, underpasses, garages and workshops.

Technical features

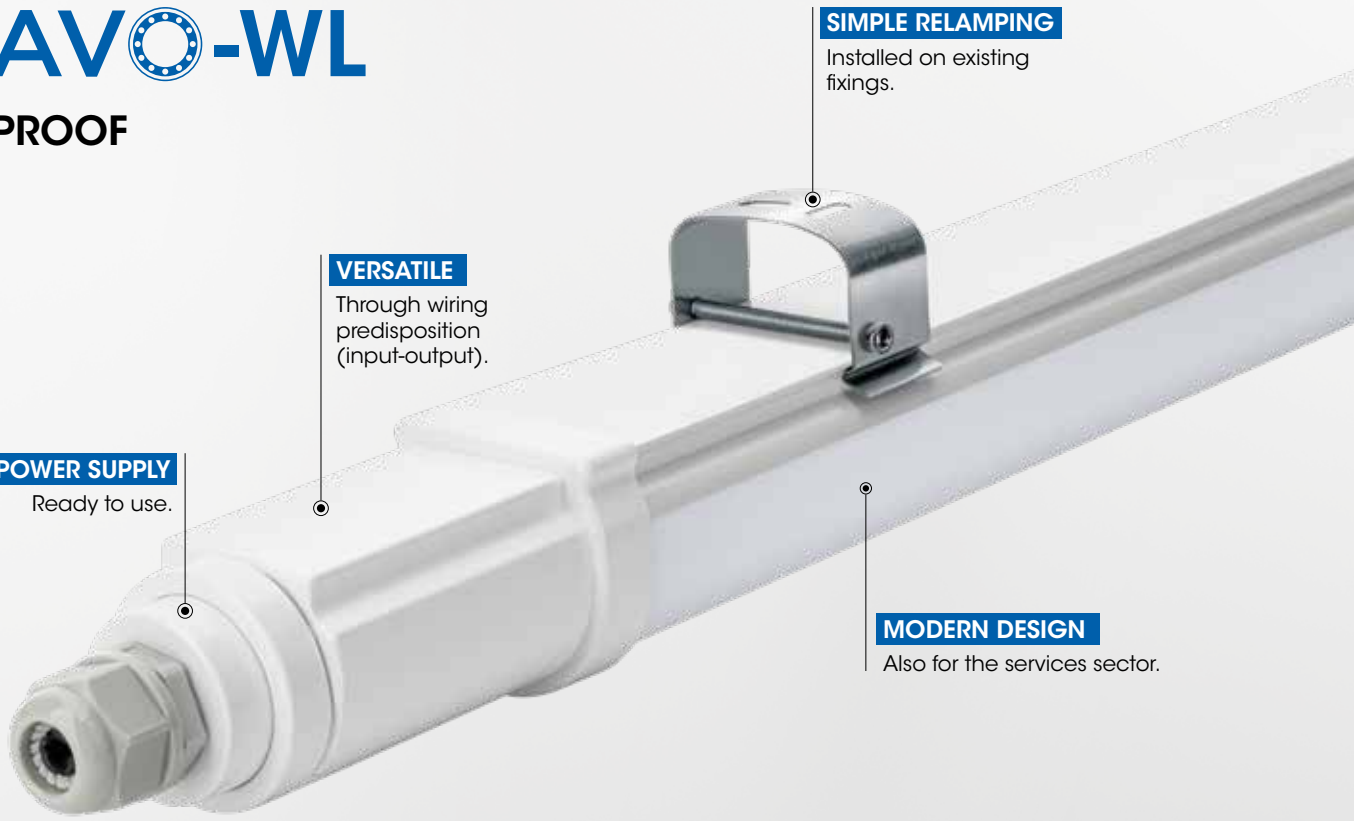
Body material	Polycarbonate	Glare index	UGR<25
Colour	White	Residual flicker	<3%
Diffuser	Polycarbonate	Lifetime	L80 50.000h Tq=25 °C
Protection rating	IP65	Insulation class	II
Impact resistance	IK07	Supply voltage	220-240V AC 50/60 Hz
Mounting system	Quick connection for pendant mounting	Control system	Standard on-off
Optics features	Symmetrical extra wide beam	Surge protection	2 kV
Actual luminaire efficiency	145 lm/W	Power factor	>0,9
Colour temperature	4.000 K	Ambient temperature	-30 °C ÷ +45 °C
Colour rendering index values (CRI)	80	Power supply	No. 2 terminal blocks 2x1,5 mm ² Max lamps under the same line WL20 -> 28 units / WL35 -> 20 units WL50 -> 14 units / WL60 -> 11 units
Colour tolerance	SDCM<5	Warranty	2 years extendable to 5 years
Photobiological risk	RG0 according to EN 62471		

Product standards

EN 60598-1, EN 60598-2-1, EN60598-2-5, EN 62471, EN 60598-2-22, EN 60598-2-24, EN 62493, IEC/TR 62778, EN 55015, EN 61547, EN 61000-3-2, EN 61000-3-3, EN 50581, DIN 18032-3, EN 13964

BRAVO-WL

WATERPROOF



SIMPLE RELAMPING

Installed on existing fixings.

VERSATILE

Through wiring predisposition (input-output).

QUICK POWER SUPPLY

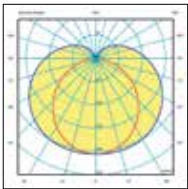
Ready to use.

MODERN DESIGN

Also for the services sector.

BRAVO-WL

Polycarbonate / wide beam optics



Power (W)	Flux effective (lm)	Length (mm)	Installation height (m)	Replaces	Product code
20	2.900	600	3	2x18W T8	BVWA0840SB
35	5.075	1.200	4	2x36W T8	BVWB0840SB
50	7.250	1.500	6	2x58W T8	BVWC0840SB
60	8.700	1.800	7	2x80w T5	BVWD0840SB



CRI 80
Colour rendering index values

IP65 Protection Rating



UK CA UK Conformity Assessed



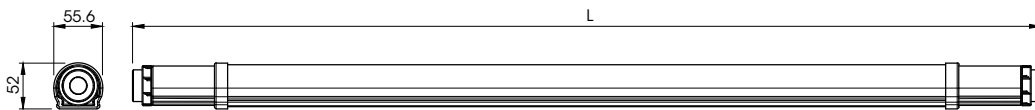
Warranty
2-year warranty extendable to 5 years

EQUIPMENT INCLUDED

Brackets for mounting.

FEATURES

220 V to 240 V multi-voltage power supply unit.
Driver equipped with protection system up to 2 kV in common mode and in differential mode.
Through wiring predisposition (input-output).



Power	L (mm)
20W	600
35W	1200
50W	1500
60W	1800

BRAVO[®]-HB

HIGH-BAY



For warehouses, logistics halls,
industries and high ceilings.

Technical features

Body material	Aluminium Alloy EN46100	Photobiological risk	RG0 according to IEC/TR 62778
Surface treatment	Polyester powder paint	Glare index	UGR<25
Colour	Silver	Residual flicker	<3%
Diffuser	Polycarbonate	Lifetime	L80 50.000h Tq=25 °C
Protection rating	IP65	Insulation class	I
Impact resistance	IK08	Supply voltage	110-240V AC 50/60 Hz
Mounting system	Quick connection for pendant mounting	Control system	Standard on-off
Optics features	Symmetrical extra wide beam	Surge protection	4 kV
Actual luminaire efficiency	135 lm/W	Power factor	>0,95
Colour temperature	4.000 K	Ambient temperature	-20 °C ÷ +45 °C
Colour rendering index values (CRI)	80	Power supply	H05RNF 3x1 mm ² cable 30 cm length
Colour tolerance	SDCM<5	Warranty	2 years extendable to 5 years

Product standards

EN 60598-1, EN 60598-2-1, EN60598-2-5, EN 62471, EN 60598-2-22, EN 60598-2-24, EN 62493, IEC/TR 62778, EN 55015, EN 61547, EN 61000-3-2, EN 61000-3-3, EN 50581, DIN 18032-3, EN 13964

BRAVO[®]-HB

HIGH-BAY



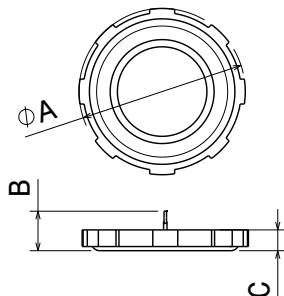
BRAVO-HB

Aluminium / Polycarbonate wide beam optics



Wide beam 90°

Power (W)	Flux effective (lm)	Installation height (m)	Replaces	Product code
100	13.500	7	250W JM/SAP	BVHA9840SC
150	20.250	9	400W JM	BVHB9840SC
190	25.650	10	400W JM/SAP	BVHC9840SC



Power	A (mm)	B (mm)	C (mm)
100W	250	70	51
150W	292	70	51
190W	335	70	51



CRI 80
Colour rendering index values

IP65 Protection Rating



UK CA UK Conformity Assessed



Warranty
2-year warranty extendable to 5 years

EQUIPMENT INCLUDED
Hook for pendant mounting.

FEATURES
110 V to 240 V multi-voltage power supply unit.
Driver equipped with protection system up to 4 kV in common mode and in differential mode.
UV insulating multi-lens.
Diffuser fall arrester devices.

BRAVO-FL

FLOODLIGHT



For public and industrial areas and sports centres.

Technical features

Body material	Aluminium Alloy EN46100	Photobiological risk	RG1 according to IEC/TR 62778
Surface treatment	Polyester powder paint	Glare index	UGR<25
Colour	Black	Residual flicker	<3%
Diffuser	Extra clear tempered glass	Lifetime	L80 50.000h Tq=25 °C
Protection rating	IP65	Insulation class	I
Impact resistance	IK08	Supply voltage	100-277V AC 50/60 Hz
Mounting system	Adjustable bracket	Control system	Standard on-off
Optics features	Symmetrical extra wide beam	Surge protection	1 kV (20W and 50W) 4 kV (100W, 150W and 200W)
Actual luminaire efficiency	123 lm/W	Power factor	>0,95
Colour temperature	4.000 K	Ambient temperature	-20 °C - +50 °C
Colour rendering index values (CRI)	80	Power supply	H05RNF 3x1 mm ² cable 30 cm length
Colour tolerance	SDCM<5	Warranty	2 years extendable to 5 years

Product standards

EN 60598-1, EN 60598-2-1, EN60598-2-5, EN 62471, EN 60598-2-22, EN 60598-2-24, EN 62493, IEC/TR 62778, EN 55015, EN 61547, EN 61000-3-2, EN 61000-3-3, EN 50581, DIN 18032-3, EN 13964

BRAVO-FL

FLOODLIGHT

FUNCTIONAL DESIGN

The surfaces prevent the accumulation of dust.

ENERGISED

Hermetically sealed gaskets.

OUTDOOR AND INDOOR

Up to + 50 °C.

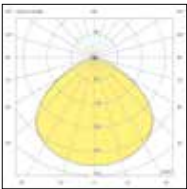
SEALED DRIVER

Able to withstand high vibrations.



BRAVO-FL

Aluminium / symmetrical glass optics



Power (W)	Flux effective (lm)	Installation height (m)	Replaces	Product code
20	2.440	2	70W JM/SAP	BVFA1840SB
50	6.150	5	100W JM/SAP	BVFB1840SB
100	12.000	7	250W JM/SAP	BVFC1840SB
150	18.000	8	400W JM	BVFD1840SB
200	24.000	10	400W JM/SAP	BVFE1840SB



CRI 80
Colour rendering index values

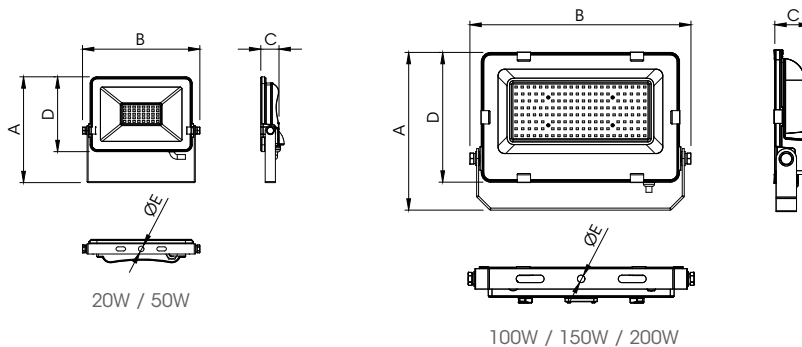
IP65 Protection Rating



UK CA UK Conformity Assessed



Warranty
2-year warranty extendable to 5 years



Power	A (mm)	B (mm)	C (mm)	D (mm)	E (mm)
20W	155	172	26	110	8
50W	219	231	32	152	8
100W	237	332	52	195	11
150W	301	389	52	262	13
200W	301	389	52	262	13

EQUIPMENT INCLUDED

Adjustable steel bracket +/- 135°.

FEATURES

Multi-voltage power supply from 100 V to 277 V. From 100 W versions the driver is equipped with a protection system up to 4 kV in common mode and in differential mode.
Diffuser fall arrester devices.
Steel cable gland.

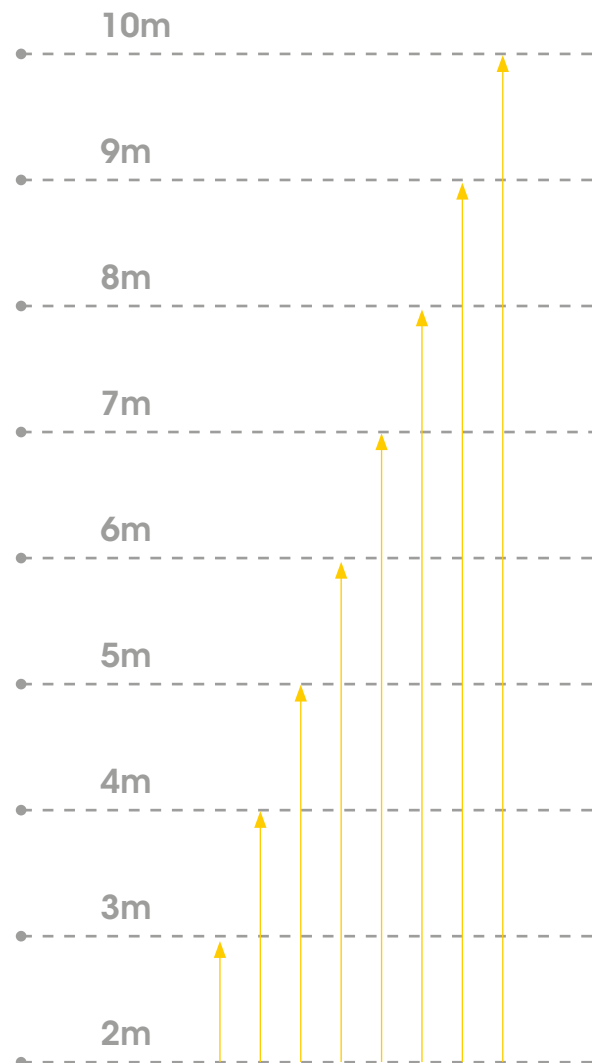
In the LEWDEN product range you will find luminaires characterised by standard durability, good efficiency and quality of light. They are the ideal choice for everyday installation needs and projects where, in addition to reliability, the focus is on cost-effectiveness.

The table below shows recommended installation heights.



INSTALLATION HEIGHT

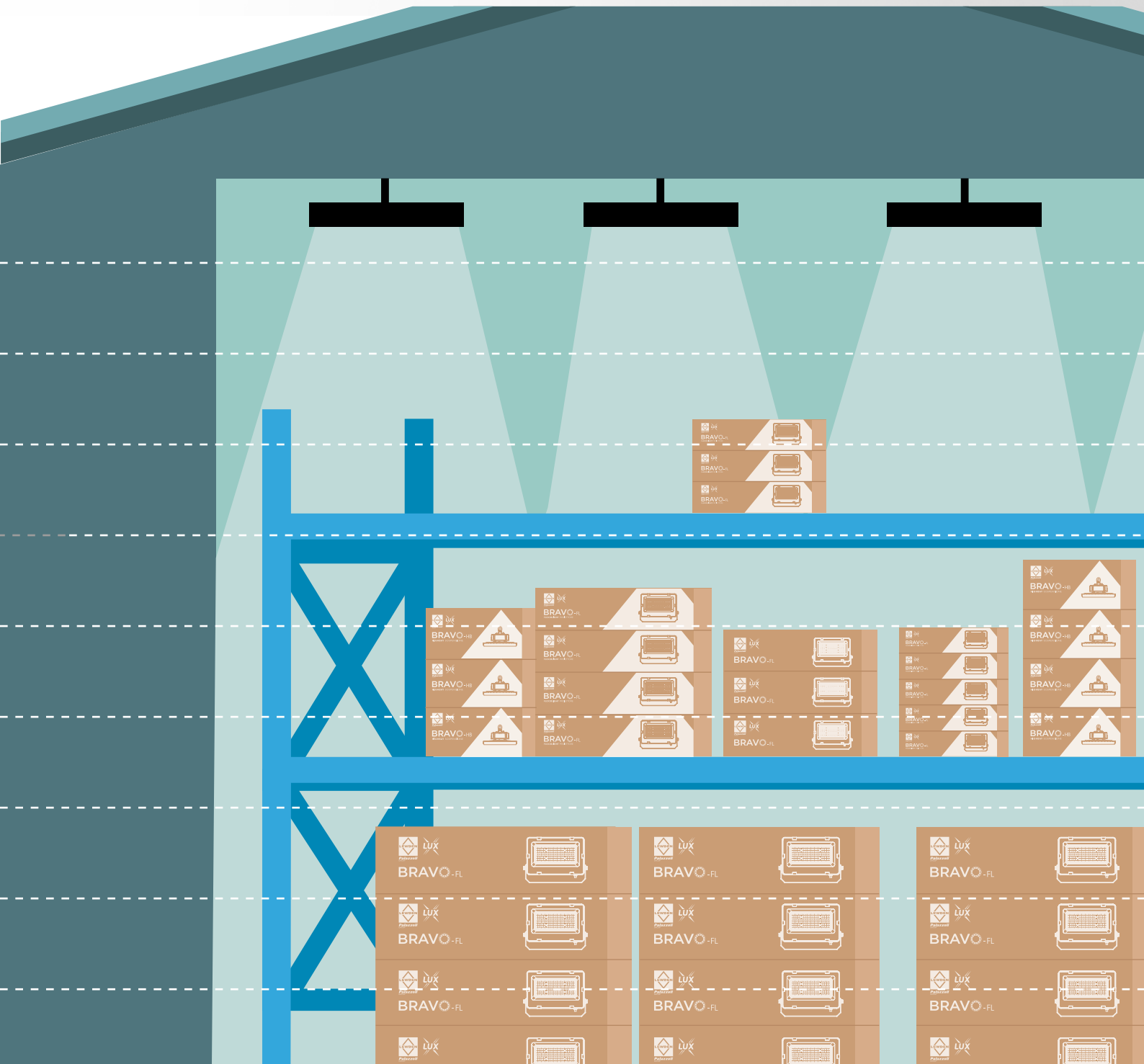
	BVHC9840SC 25650 lm	BVFE1840SB 24000 lm
	BVHB9840SC 20250 lm	
		BVFD1840SB 18000 lm
BVWD0840SB 8700 lm	BVHA9840SC 13500 lm	BVFC1840SB 12000 lm
BVWC0840SB 7250 lm		
		BVFB1840SB 6150 lm
BVWB0840SB 5075 lm		
BVWA0840SB 2900 lm		
		BVFA1840SB 2440 lm





WATERPROOF		HIGH-BAY	FLOODLIGHT	Comparison
BVWA0840SB	2900 lm			2x18W T8
BVWB0840SB	5075 lm			2x36W T8
BVWC0840SB	7250 lm			2x58W T8
BVWD0840SB	8700 lm			2x80W T5
			BVFA1840SB	2440 lm
			BVFB1840SB	6150 lm
	BVHA9840SC	13500 lm	BVFC1840SB	12000 lm
	BVHB9840SC	20250 lm	BVFD1840SB	18000 lm
	BVHC9840SC	25650 lm	BVFE1840SB	24000 lm
				70W JM/SAP
				100W JM/SAP
				250W JM/SAP
				400W JM
				400W JM/SAP

Comparison table between BRAVO codes and the other technologies.





Palazzoli
GROUP

