



PRO-LA

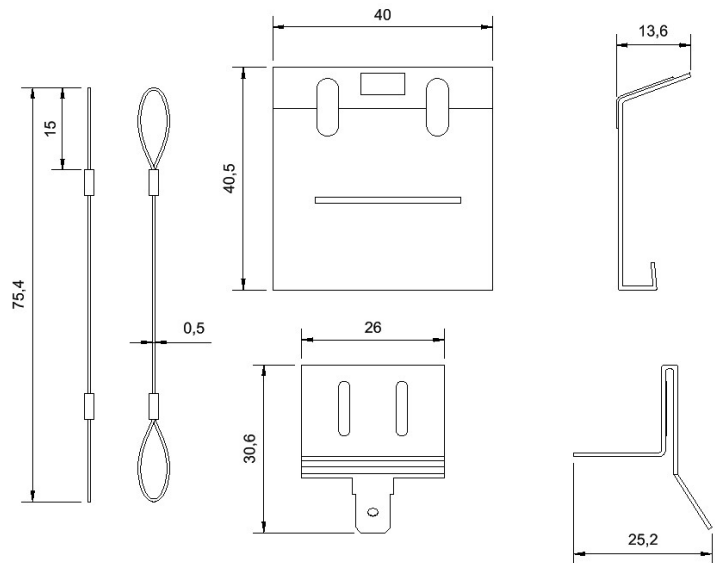
Security Hasp + Staple for PRO Consumer Units

Application

A security hasp and staple for the drop down cover & lid of a PRO Consumer Unit to prevent unauthorised access to circuit protection devices.

Features

- Easy to install - no drilling required.
- Can be installed temporarily or permanently with no damage to the consumer unit if the hasp + staple are removed.
- Can accept 3mm, 4mm or 5mm Ø pad lock shackles
- A retaining wire keeps the hasp & staple paired when not padlocked to prevent loss.
- Manufactured from stainless steel.
- Supplied with an equipotential bonding cable for connection to the consumer unit earth bar.



Easy Installation



Earth Point Internal Connection



Locking Capacity Up To x3 padlocks



Hasp & Staple Tethered To Prevent Loss



PADLOCK NOT INCLUDED